

Double Universal Joint

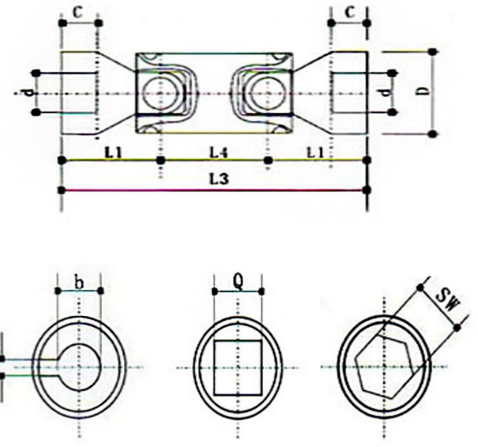
From: Shanghai, China

Brand: EDi



DOUBLE-JOINT

WS



Universal Joint Inquiry / Ordering Example:

Model + Inner Diameter + Outer Diameter

Example: d=10mm, outer diameter D=20mm

D10x20-G or WS10x20

If the model is unknown, please provide:

Inner diameter+uter diameter + Length

Type		Nm	d	D	L2	L1	L3	L4	C	a	b	Q	SW	Kg(G)
No.	Dimensions													
001GD	D5 x 10-G	5.0	5	10	31	15			8.8			5	5	0.02
002GD	D6 x 12-G	5.0	6	12	31	15			8.9			6	6	0.04
01GD	D6 x 16-G	11.2	6	16	34	17	56	22	8	2	7	6	6	0.05
02GD	D8 x 18-G	15	8	18	40	20	62	22	11	2	9	8	8	0.08
03GD	D10 x 16-G	25	10	16	52	26	74	26	12	3	11.4	10	10	0.1
	D10 x 20-G			20	48	24								
04GD	D12 x 23-G	45	12	23	56	28	86	30	13	4	13.8	12	12	0.15
	D12 x 25-G			25										
05GD	D14 x 25-G	60	14	25	74	37	96	36	13	5	16.3	14	14	0.25
06GD	D16 x 30-G	71	16	30	70	35	104	36	16	6	18.3	16	16	0.35
07GD	D18 x 32-G	120	18	32	74	37	114	40	17	6	20.8	18	18	0.45
08GD	D20 x 36-G	140	20	36	82	41	128	46	18	6	22.8	20	20	0.7
09GD	D22 x 38-G	200	22	38	95	47.5	145	50	22	6	24.8	22	22	0.8
10GD	D25 x 44-G	280	25	44	108	54	163	55	26	6	28.3	25	25	1.15
	D25 x 46-G			46										
11GD	D30 x 48-G	450	30	48	123	60	195	75	38	8	33.8	30	30	1.6
12GD	D35 x 58-G	560	35	58	140	70	218	75	41	10	38.8	35	35	2.6