

Z12(A) Type Locking Assembly

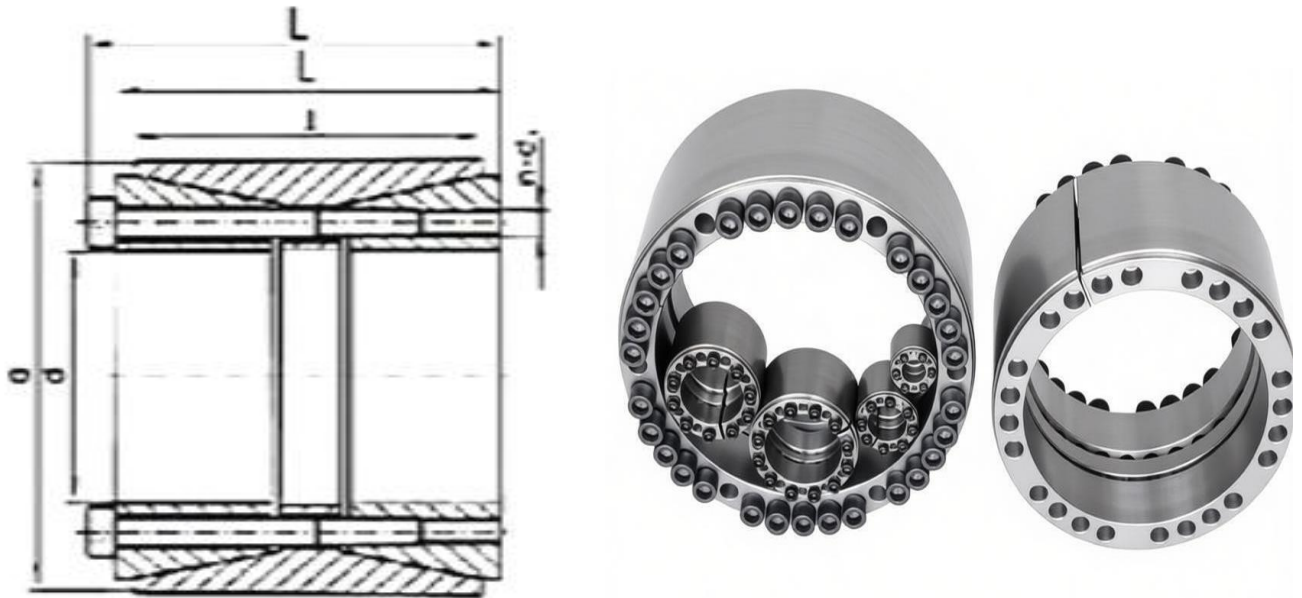
Origin: Shanghai, China

Brand: EDi Type: Z12(A)

Materials: 45# (equivalent to C45), 40Cr, and stainless steel

Main applications: Mining machinery, forging machinery, metallurgical machinery, construction machinery, heavy machinery, conveying equipment, CNC machine tools, packaging machinery, printing machinery, food processing machinery, textile machinery, etc.

Specification Table:



Basic dimensions							Rated load		PfN/mm ²	Pf'N/mm ²	MAN·m	kg	
Type	d	D	I	L	L1	d1	n	F1 KN					M1 KN·m
mm													
Z12A-25X55	25	55	32	40	46	M6	6	67	0.84	297	101	17	0.47
Z12A-28X55	28								0.94	265	101		0.44
Z12A-30X55	30								1.0	248	101		0.42
Z12A-35X60	35								60	44	54		60

Z12A-40X75	40	75	44	54	62	M8		145	2.9	282	116	41	1.1
Z12A-45X75	45	75	44	54	62			145	3.26	251	116		1.2
Z12A-50X80	50	80	56	64	72	M8	8	165	4.15	200	98		1.4
Z12A-55X85	55	85					9	186	5.15	205	104		1.6
Z12A-60X90	60	90				10	207	6.2	202	106	1.7		
Z12A-65X95	65	95				M8	10	207	6.75	187	100		1.9
Z12A-70X110	70	110	70	78	88	M10	10	329	11.5	223	114	83	3.1
Z12A-80X120	80	120					11	362	14.5	215	115		3.5
Z12A-90X130	90	130					12	390	17.8	208	115		3.8
Z12A-100X145	100	145	90	100	112	M12	14	527	26.3	200	107	145	6.1
Z12A-110X155	110	155					17	575	31.8	198	110		6.6
Z12A-120X165	120	165					18	670	40.4	212	120		7.2
Z12A-130X180	130	180	104	116	130	M14	16	759	49	180	112	230	11.1
Z12A-140X190	140	190					18	842.8	59	186	124		11.8
Z12A-150X200	150	200					19	896.6	67	185	127		12.6
Z12A-160X210	160	210					20	950	76	183	128		13.4
Z12A-170X225	170	225	134	146	162	M16	19	1223.5	104	172	113	355	19.6
Z12A-180X235	180	235					20	1288.8	116	172	115		20.6
Z12A-190X250	190	250					21	1363	129.5	172	116		23.8
Z12A-200X260	200	260					22	1437.5	143.7	172	112		24.9
Z12A-220X285	220	285					24	1581.8	174	172	115		29.6
Z12A-240X305	240	305	165	177	197	M20	26	1725	207	172	119	690	31.9
Z12A-260X325	260	325					28	1846	240	170	117		34.3
Z12A-280X355	280	355					24	2428.5	340	168	117		52
Z12A-300X375	300	375					25	2540	381	161	123		55.3
Z12A-320X405	320	405	190	202	224	M22	28	2881	461	175	119	930	67.3
Z12A-340X425	340	425					29	2994	509	171	119		71
Z12A-360X455	360	455					28	3588.8	646	169	115		96.5

Z12A-380X47 5	380	475	190	202	224	M22	30	3821	726	170	115	101.2
Z12A-400X49 5	400	495					31	3960	792	168	120	106
Z12A-420X51 5	420	515					32	4100	861	165	116	110.7
Z12A-440X53 5	440	535					24	4260	937	165	112	110
Z12A-460X55 5	460	555					24	4260	980	158	107	113
Z12A-480X57 5	480	575					28	5000	1200	176	121	118
Z12A-500X59 5	500	595					28	5000	1240	169	117	122
Z12A-520X61 5	520	615					30	5330	1390	174	121	126
Z12A-540X63 5	540	635					30	5330	1440	168	117	131
Z12A-560X65 5	560	655					32	5680	1590	172	121	135
Z12A-580X67 5	580	675					33	5860	1705	172	121	140
Z12A-600X69 5	600	695					33	5860	1760	166	118	144

Note: The mechanical property class of the screws is 12.9.