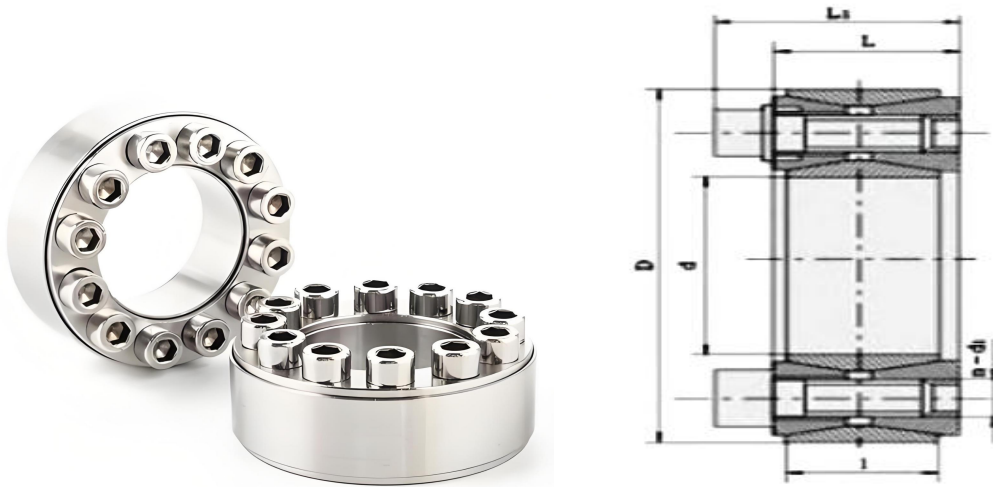


## Z2 Type Locking Assembly



**Origin:** Shanghai, China

**Brand:** EDi **Type:** Z2

**Materials:** 45# (equivalent to C45), 40Cr, and stainless steel

**Main applications:** Mining machinery, forging machinery, metallurgical machinery, construction machinery, heavy machinery, conveying equipment, CNC machine tools, packaging machinery, printing machinery, food processing machinery, textile machinery, etc.

**Specification Table:**

Basic dimensions							Rated load		PfN/ mm <sup>2</sup>	PfN/ mm <sup>2</sup>	MA N·m	kg	
Type	d	D	I	L	L1	d1	n	F1K N					M1K N·m
	mm												
Z2-17X47	17	47	17	20	27.5	M6	8	27			14		
Z2-18X47	18												
Z2-19X47	19								0.25	220		90	0.20
Z2-20X47	20								0.27	210		90	0.24
Z2-22X47	22								0.30	195		90	0.23



Z2-360X455	360	455	8 4	90	116. 0	M22		1630	294.00		115	780	42.20
Z2-380X475	380	475						1620	308.00	135	110		44.00
Z2-400X495	400	495						1610	322.00	130	105		46.00
Z2-420X515	420	515					40	1780	374.00	135	110		50.00
Z2-450X555	450	555	9 6	10 2	130. 0	M24	40	2050	461.25	124	100	1000	65.00
Z2-480X585	480	585					42	2160	518.40		100		71.00
Z2-500X605	500	605					44	2240	560.00	123	100		72.60
Z2-530X640	530	640					45	2330	617.00	121	100		83.60
Z2-560X670	560	670					48	2440	680.00	120	100		85.00
Z2-600X710	600	710					50	2580	775.00	118	100		91.00
Z2-630X740	630	740					52	2680	844.00	117	105		94.00
Z2-670X780	670	780					56	2820	944.00	116	100		101.00
Z2-710X820	710	820					60	2970	1054.00	115	100		106.00
Z2-750X860	750	860					62	3130	1173.00	115	100		112.00
Z2-800X910	800	910					66	3260	1300.00	112	100		118.00
Z2-850X960	850	960					70	3500	1487.00	113	100		125.00
Z2-900X1010	900	1010					75	3680	1650.00	112	100		132.00
Z2-950X1060	950	1060					80	3870	1838.00		100		139.00
Z2-1000X1110	1000	1110					82	4000	2000.00	110	100		146.00

**Note:** The mechanical property class of the screws is 12.9.